

Sasquatch Robot Controller

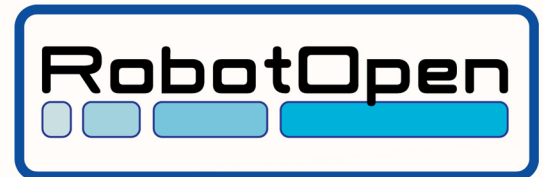
Revision 2.0

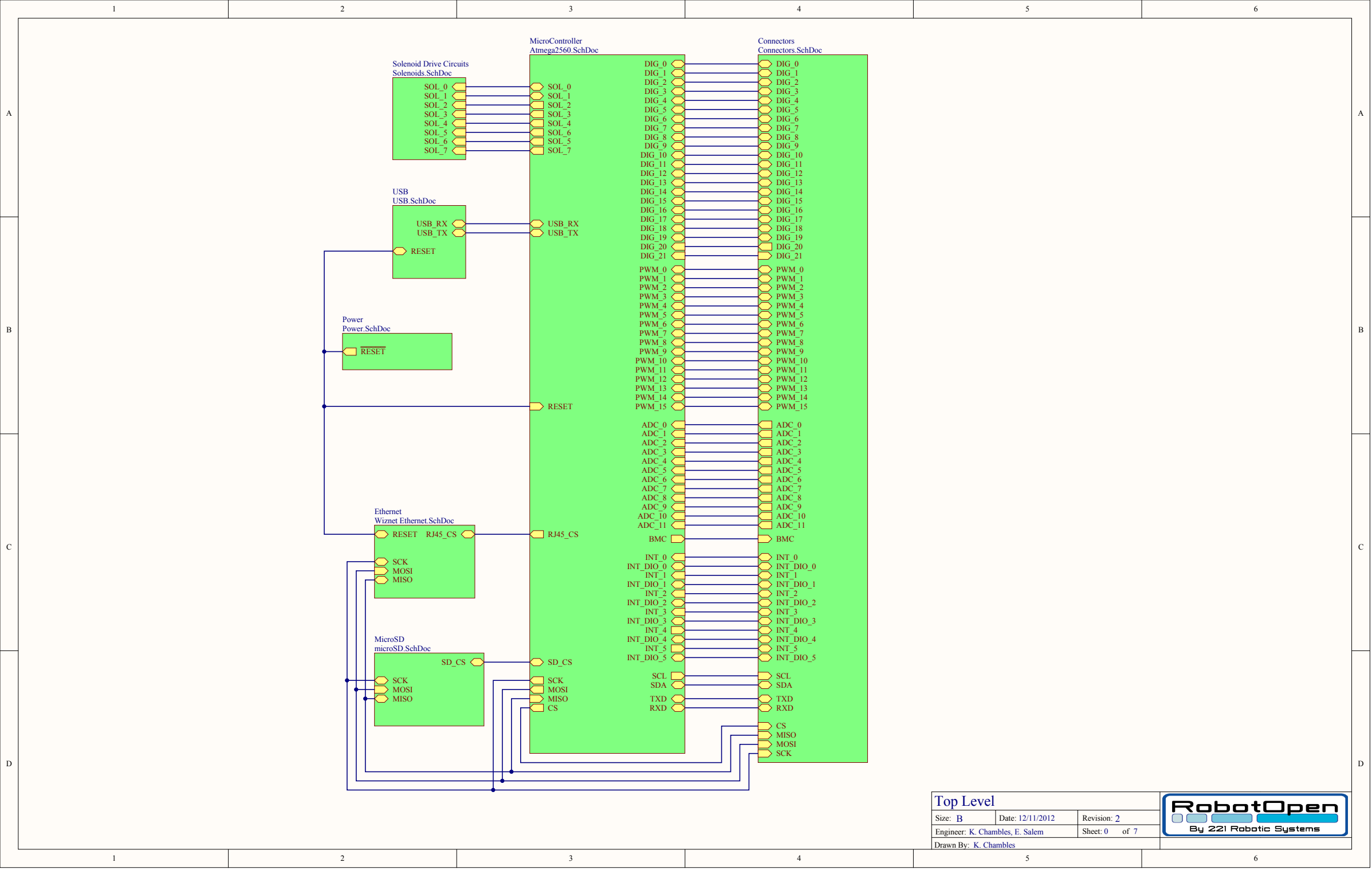
This package is released under the Creative Commons Attribution-ShareAlike 3.0 Unported.

The Sasquatch Robot Controller utilizes the power of Arduino. It can be programmed through the use of Arduino software. Please see the programming manual for setup information.

Programming tutorials can be found at:
Arduino.cc

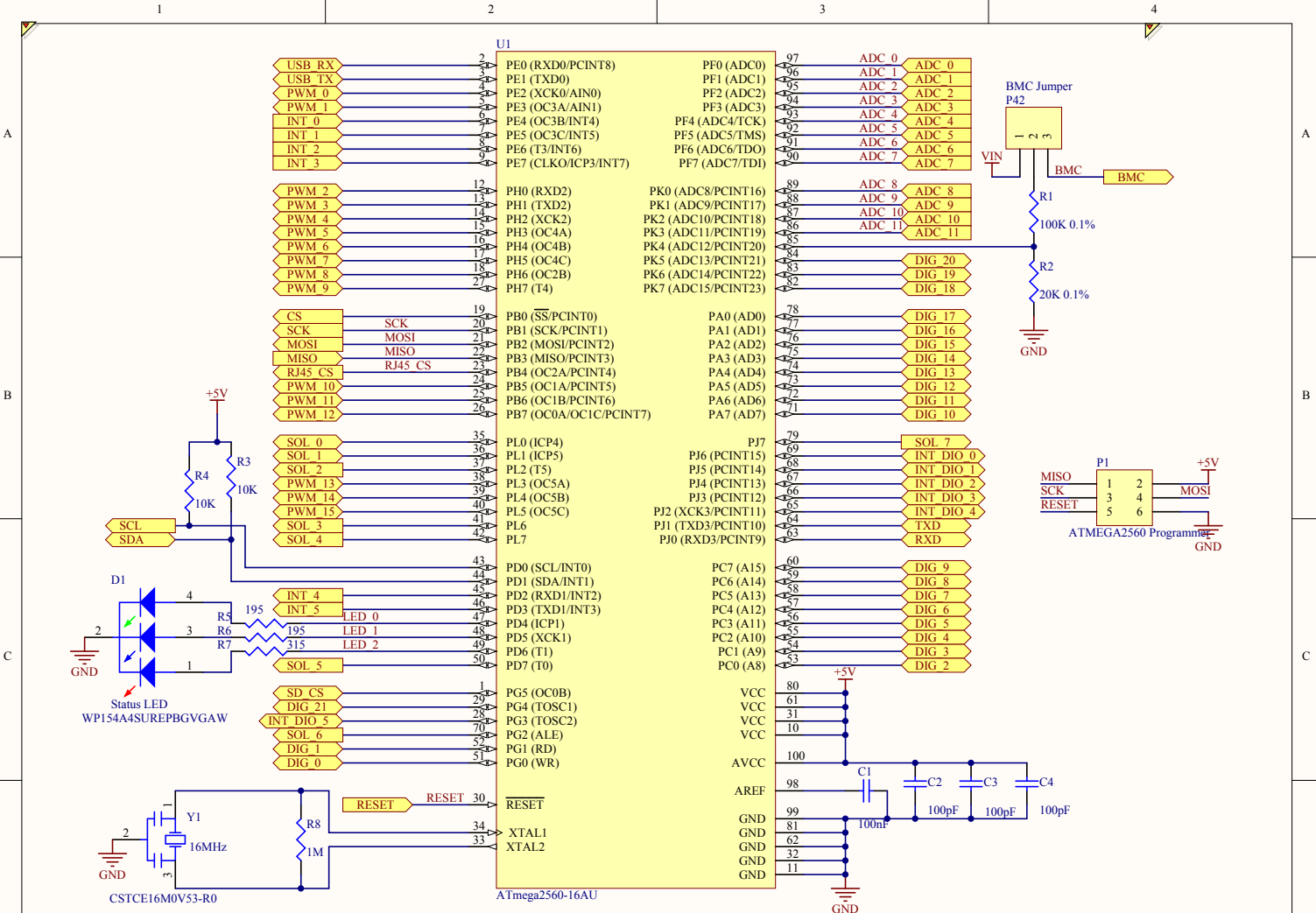
For all other information and support please visit:
RobotOpen.biz



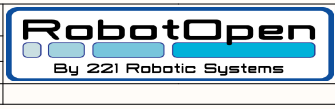


Top Level		
Size: B	Date: 12/11/2012	Revision: 2
Engineer: K. Chambls, E. Salem	Sheet: 0 of 7	
Drawn By: K. Chambls		

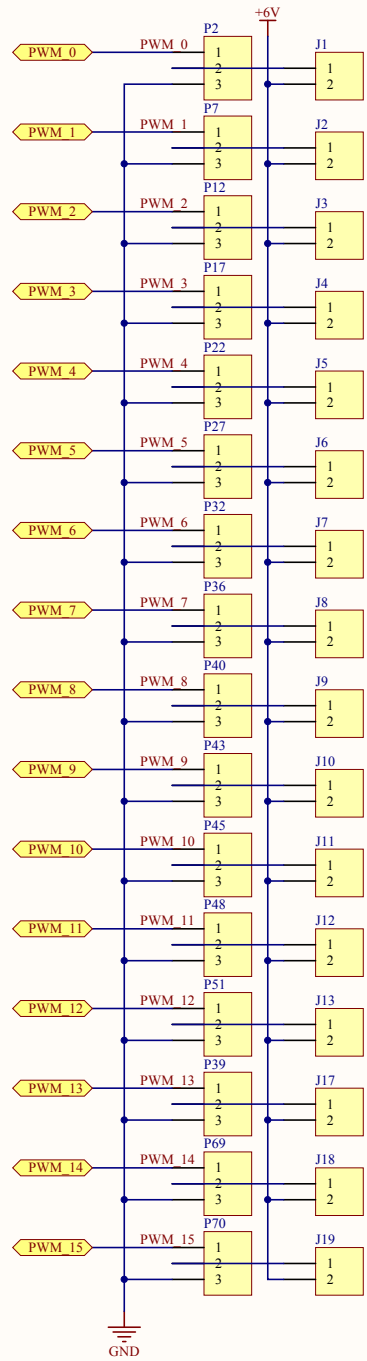




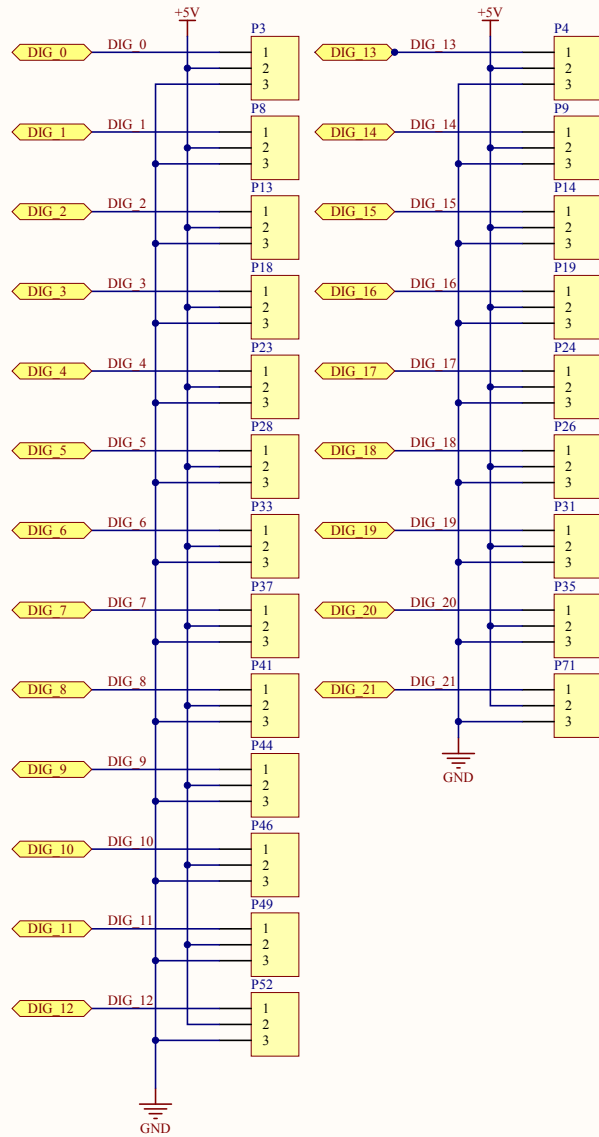
Atmega2560 Control System		
Size: A	Date: 12/11/2012	Revision: 2
Engineer: K. Chamles, E. Salem	Sheet: 1 of 7	
Drawn By: E. Salem		



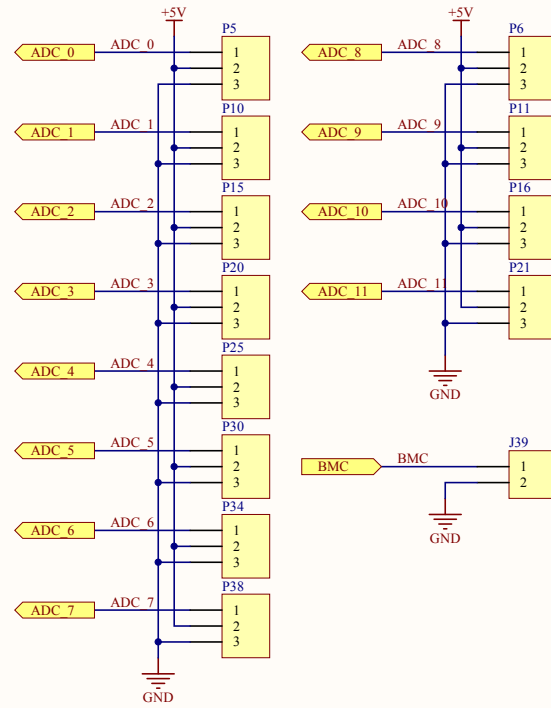
PWM



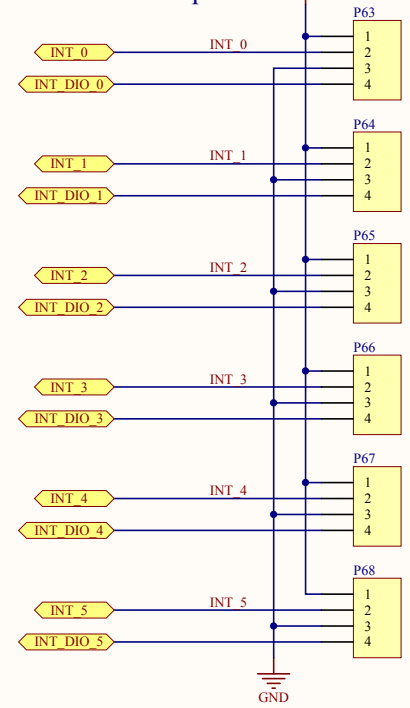
Digital IO



Analog-Digital Converter



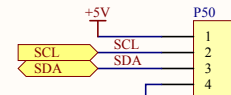
Interrupt



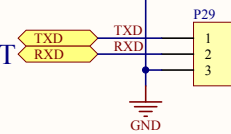
SPI



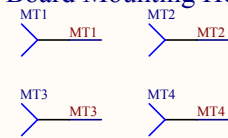
I2C



USART



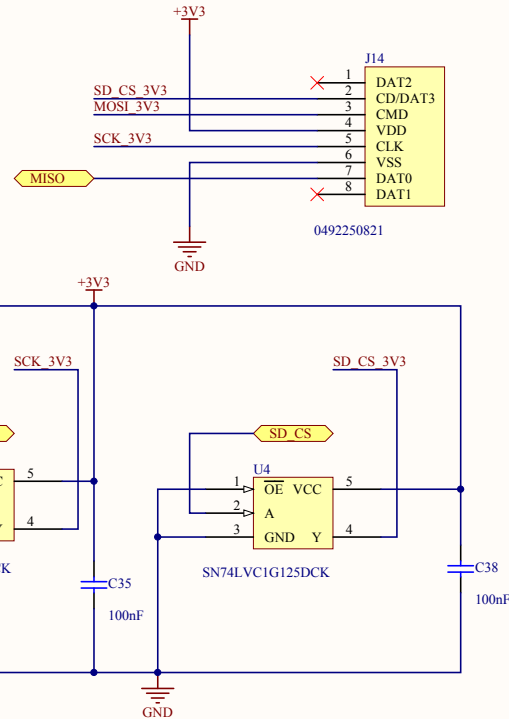
Board Mounting Holes



Connectors

Size: B	Date: 12/11/2012	Revision: 2
Engineer: K. Chamblès, E. Salem		Sheet: 2 of 7
Drawn By: E. Salem		

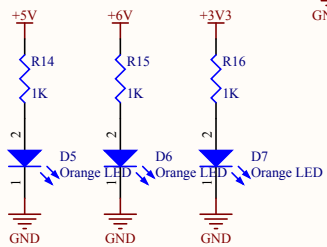
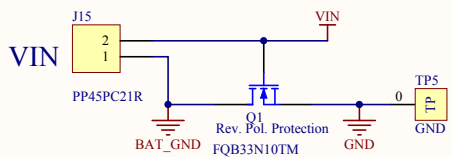
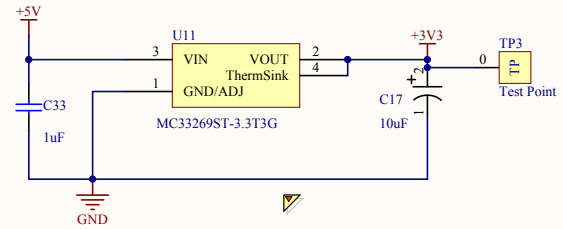
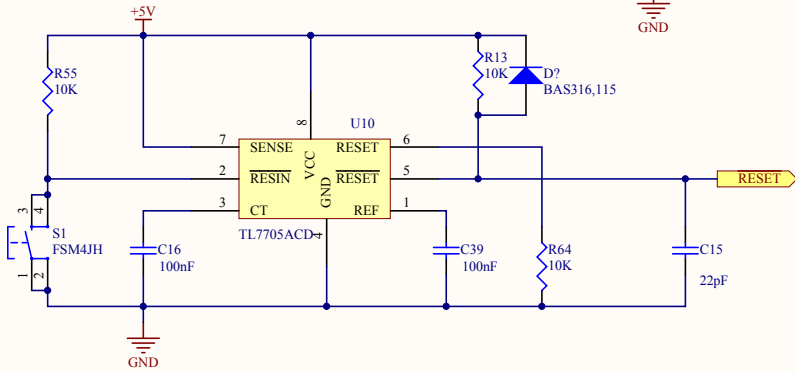
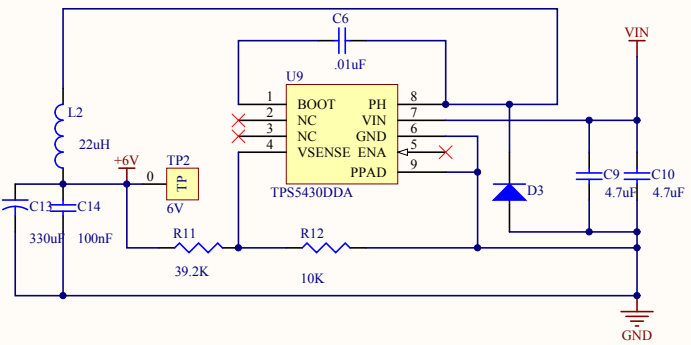
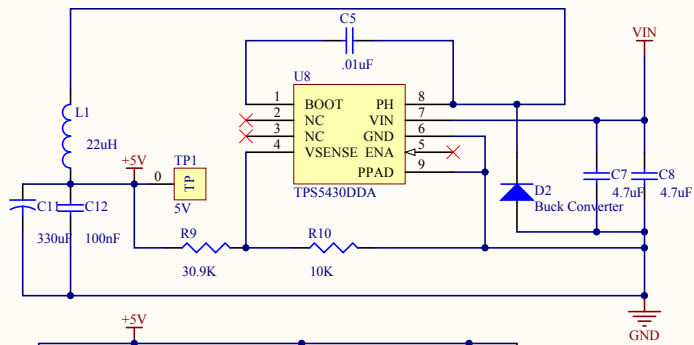




MicroSD

Size: A	Date: 12/11/2012	Revision: 2
Engineer: K. Chambles, E. Salem	Sheet: 3 of 7	
Drawn By: E. Salem		

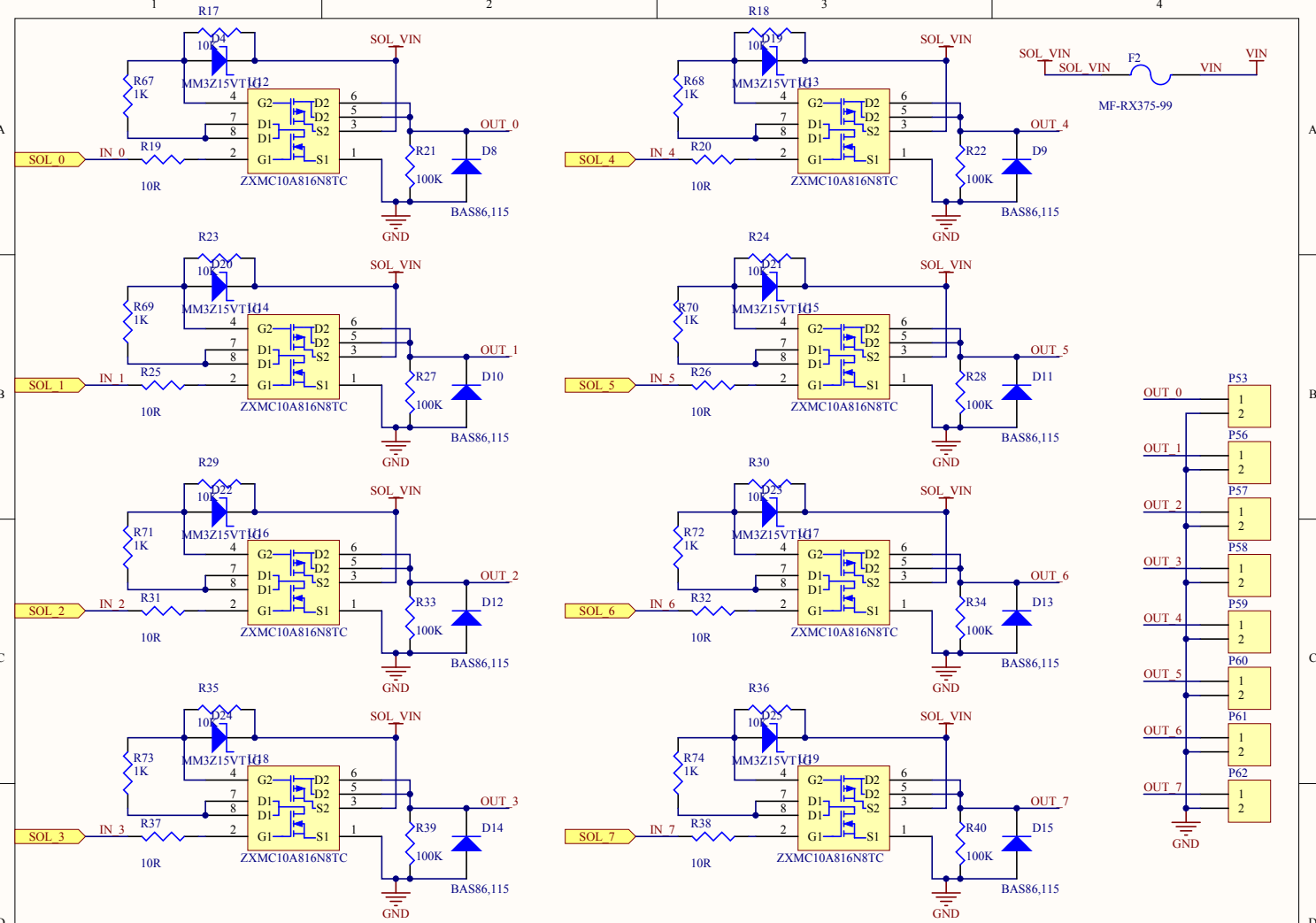




Power

Size: A	Date: 12/11/2012	Revision: 2
Engineer: K. Chambles, E. Salem	Sheet: 4 of 7	
Drawn By: E. Salem		

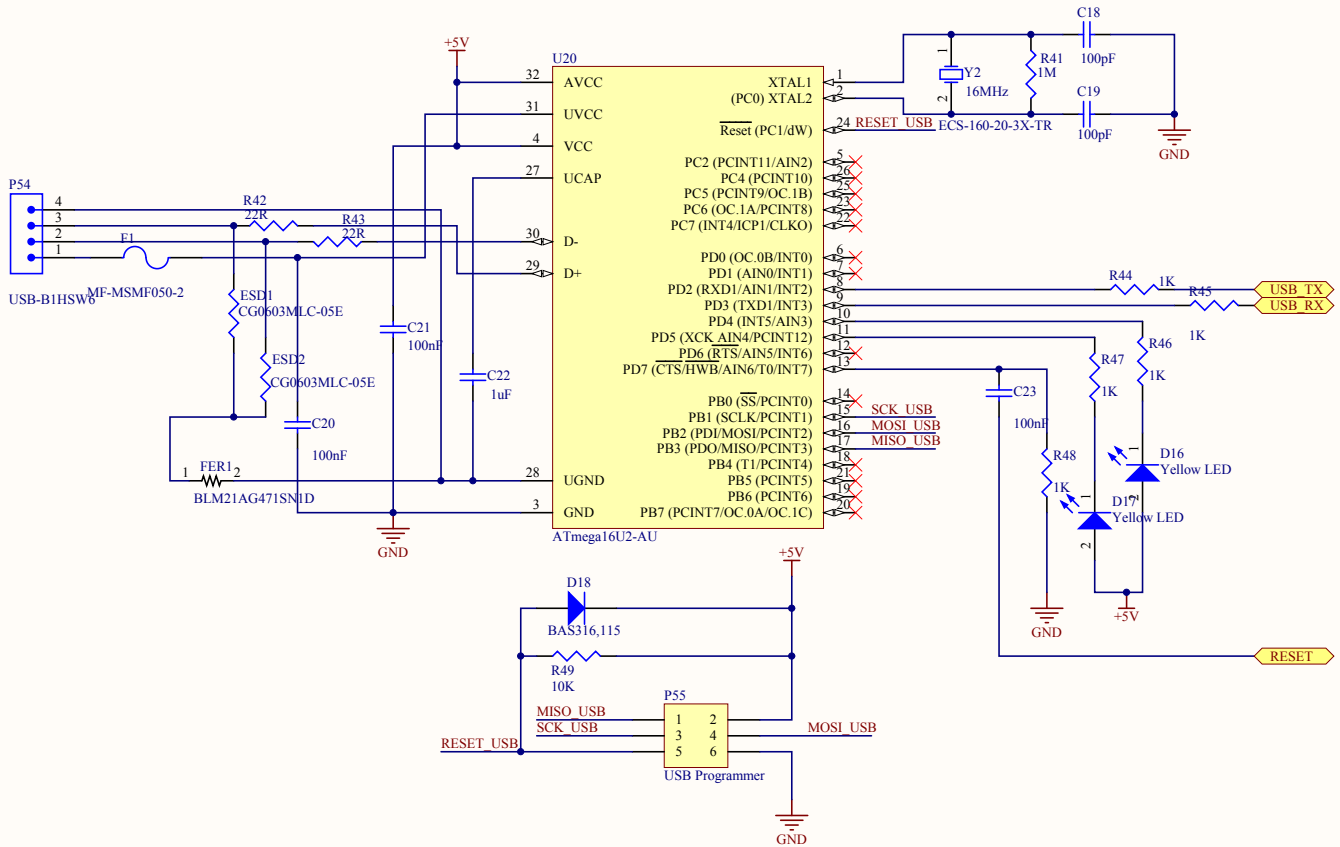




Solenoids

Size: A	Date: 12/11/2012	Revision: 2
Engineer: K. Chambles, E. Salem	Sheet: 5 of 7	
Drawn By: E. Salem		

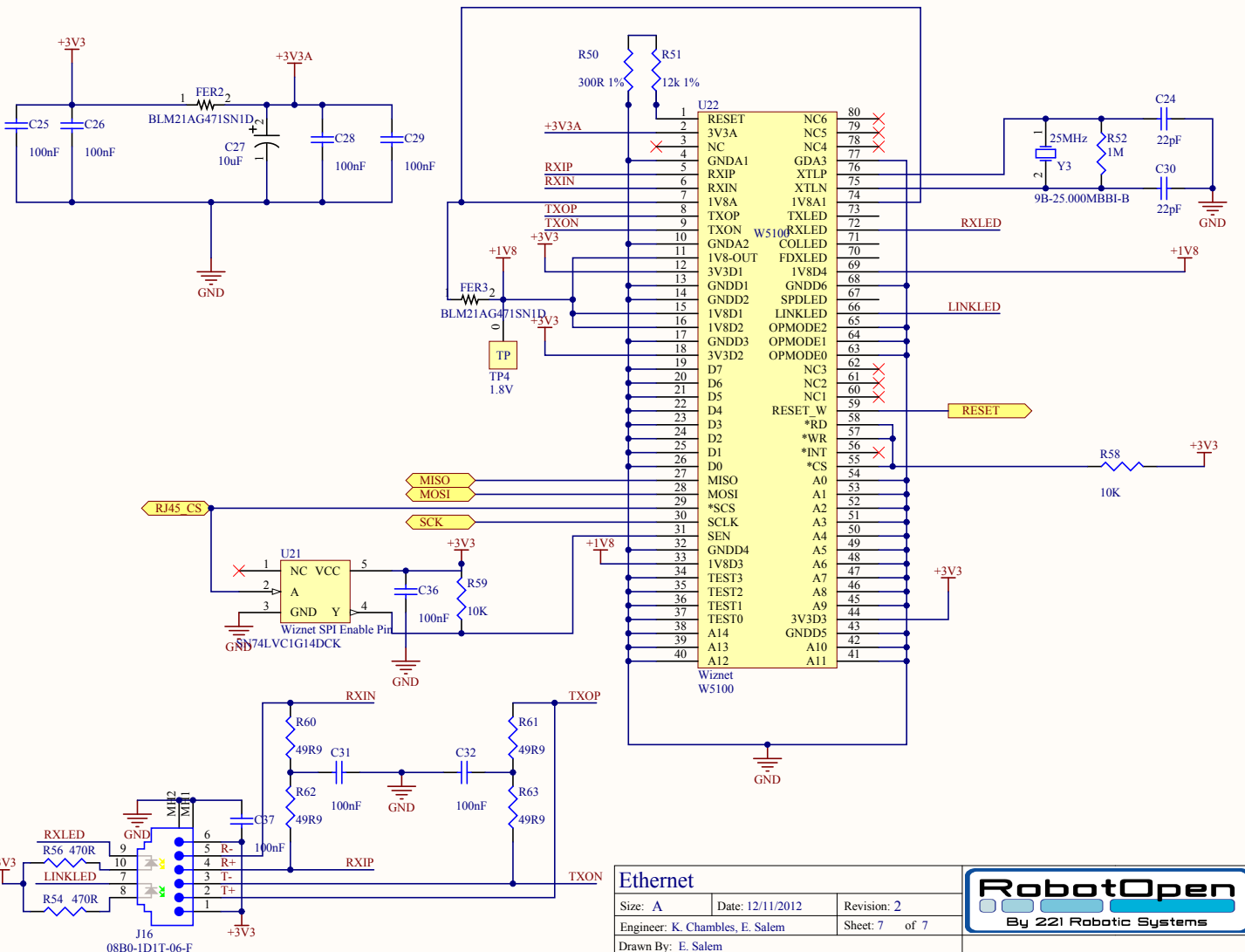




USB

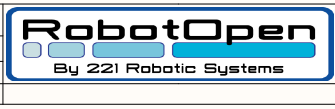
Size: A	Date: 12/11/2012	Revision: 2
Engineer: K. Chambles, E. Salem	Sheet: 6 of 7	
Drawn By: E. Salem		



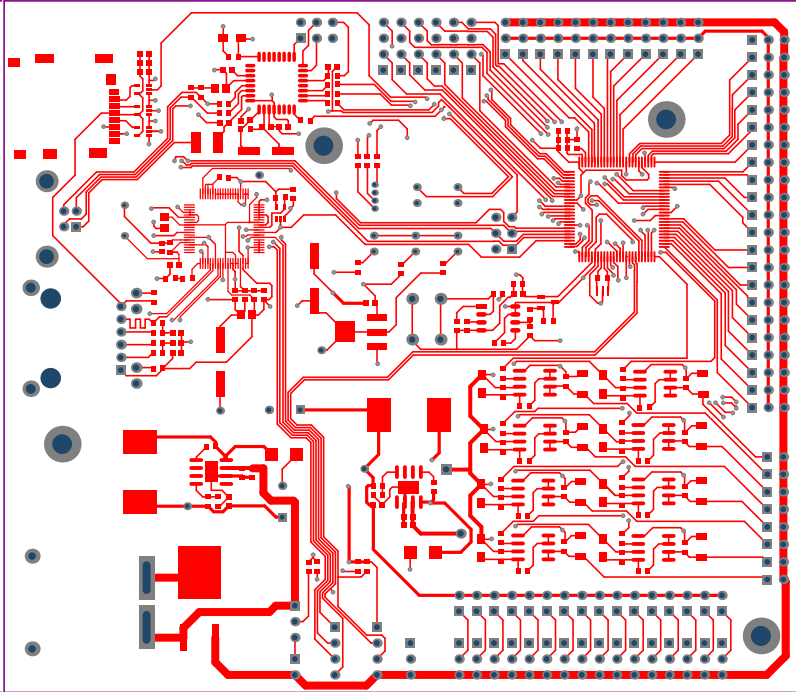


Ethernet

Size: A	Date: 12/11/2012	Revision: 2
Engineer: K. Chamles, E. Salem	Sheet: 7 of 7	
Drawn By: E. Salem		

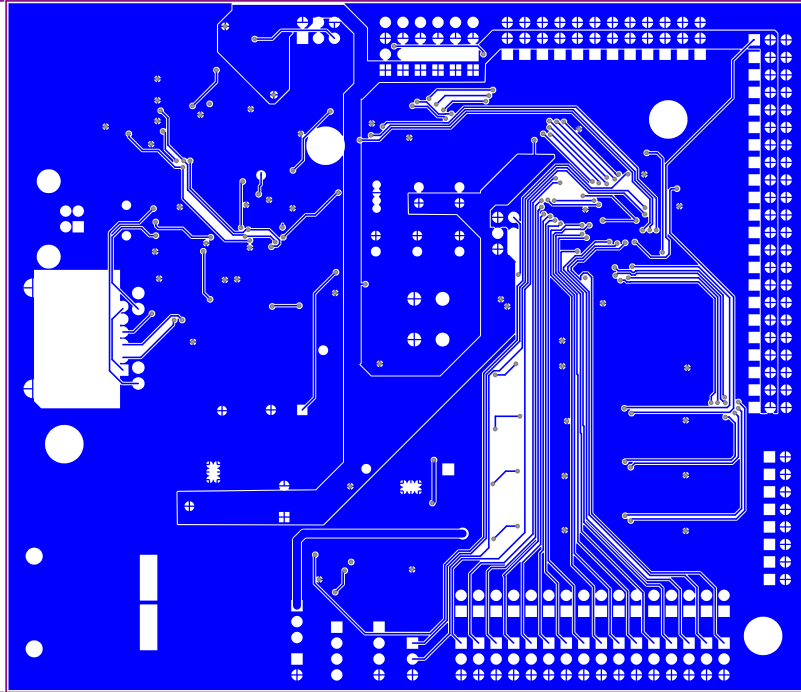


4345.00 (mil)



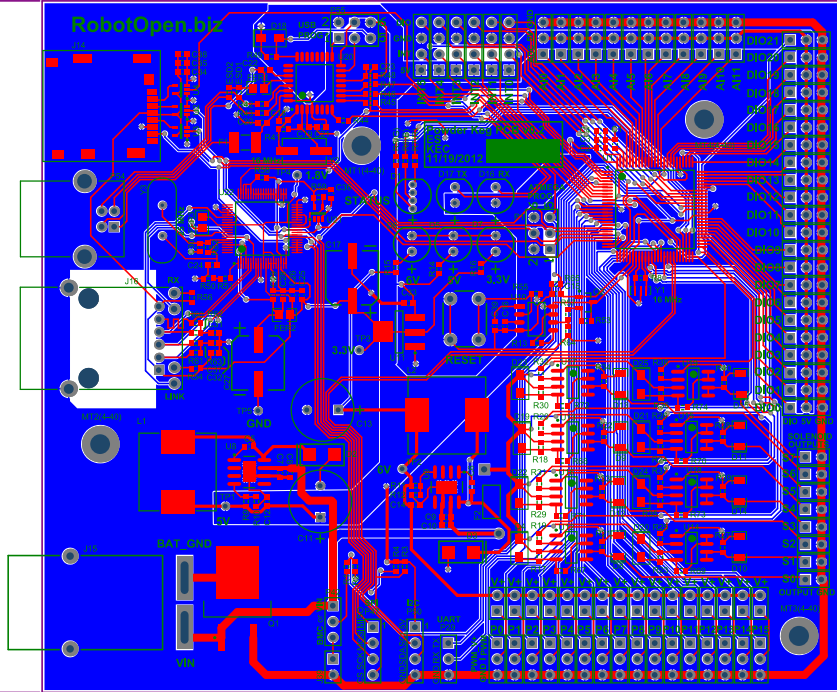
5005.00 (mil)

4345.00 (mil)



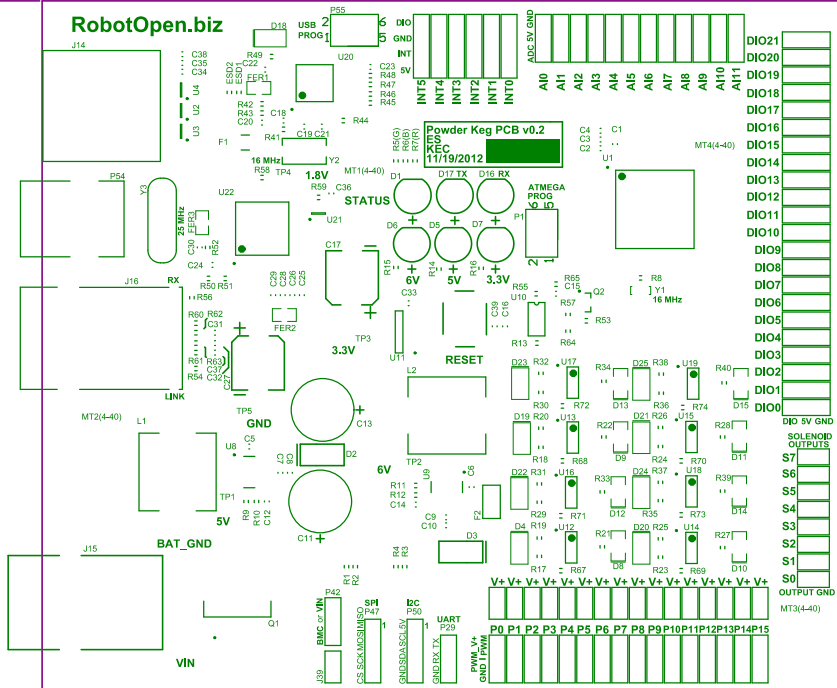
5005.00 (mil)

4345.00 (mil)



RobotOpen.biz

1345.00 (mil)



5005.00 (mil)